

lvds-ttl-test-expansion-board REV:0.2

PCB SN:?

L=4, ? x ? mm

PAGE TITLE

P01 Index

P02 Connectors & Others

P03 LVDS

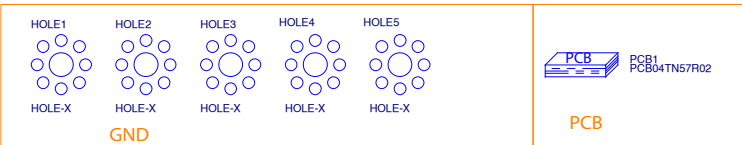
P04 Touch & TTL 7"

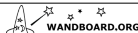
WANDBOARD DESIGN AND DISCLAIMER

These design materials referred to in this document are *NOT SUPPORTED* and DO NOT constitute a reference design. Only "community" support is allowed via resources at Wandboard.org forums.

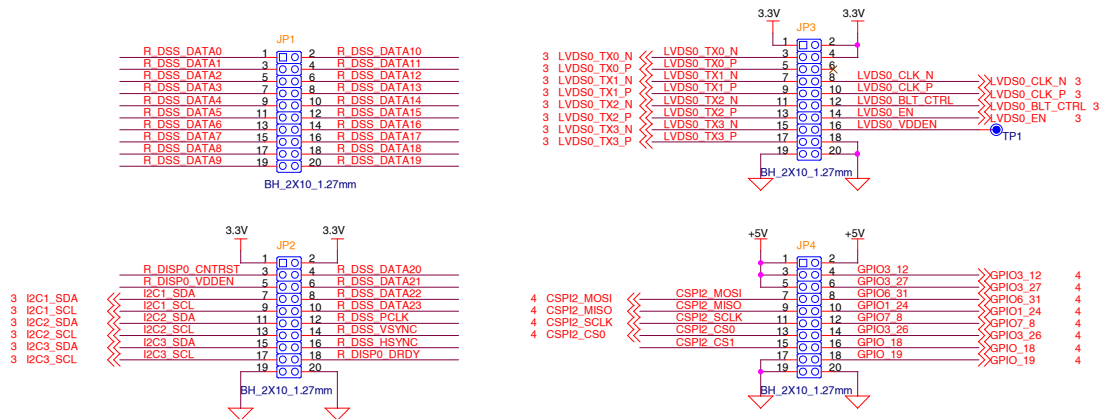
THERE IS NO WARRANTY FOR THE DESIGN MATERIALS, TO THE EXTENT PERMITTED BY APPLICABLE LAW. EXCEPT WHEN OTHERWISE STATED IN WRITING THE COPYRIGHT HOLDERS AND/OR OTHER PARTIES PROVIDE THE DESIGN MATERIALS "AS IS" WITHOUT WARRANTY OF ANY KIND, EITHER EXPRESSED OR IMPLIED, INCLUDING, BUT NOT LIMITED TO, THE IMPLIED WARRANTIES OF MERCHANTABILITY AND FITNESS FOR A PARTICULAR PURPOSE. THE ENTIRE RISK AS TO THE QUALITY AND PERFORMANCE OF THE DESIGN MATERIALS IS WITH YOU. SHOULD THE DESIGN MATERIALS PROVE DEFECTIVE, YOU ASSUME THE COST OF ALL NECESSARY SERVICING, REPAIR OR CORRECTION.

This board was designed as an evaluation and development tool. It was not designed with any other application in mind. As such, these design materials may or may not be suitable for any other purposes. If used, the design material becomes your responsibility as to whether or not it meets your specific needs or your specific applications and may require changes to meet your requirements.

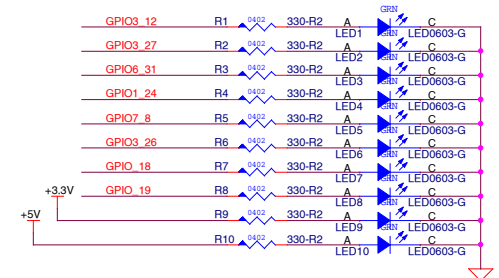


 WANDBOARD.ORG		
Title		
INDEX		
Size	Document Number	Rev
Custom	lvds-ttl-test-expansion-board	0.2
Date:	Friday, May 10, 2013	Sheet 1 of 4

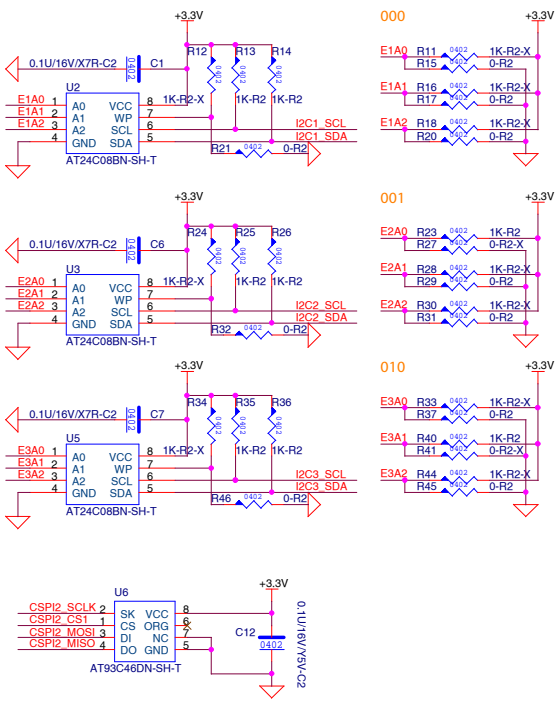
Connectors



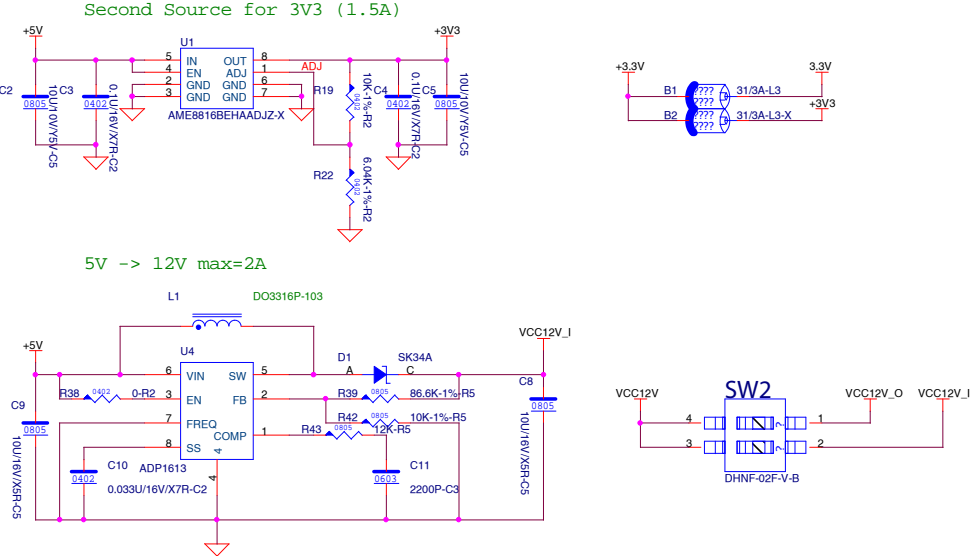
GPIOs



EEPROM



Power



WANDBOARD.ORG

Title: Connectors & Others

Size: Custom

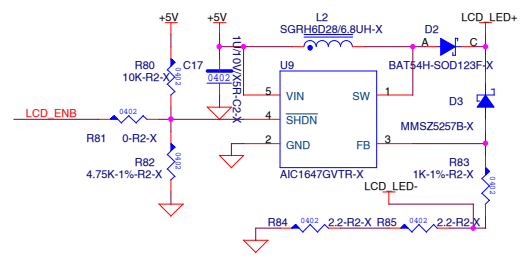
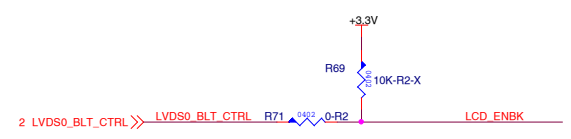
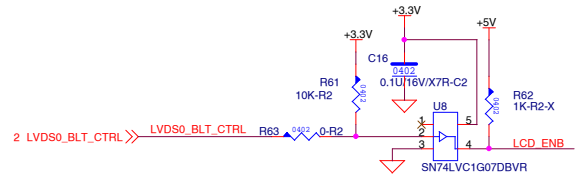
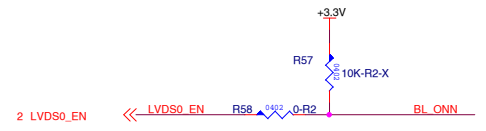
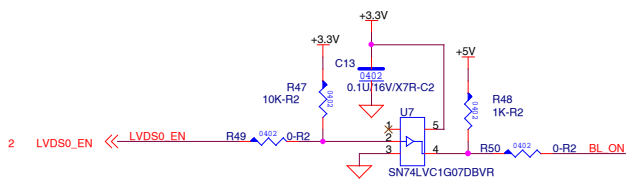
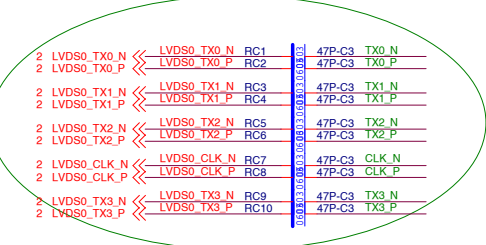
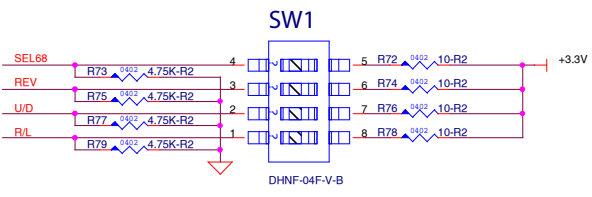
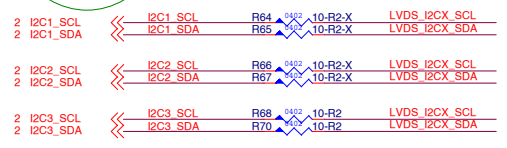
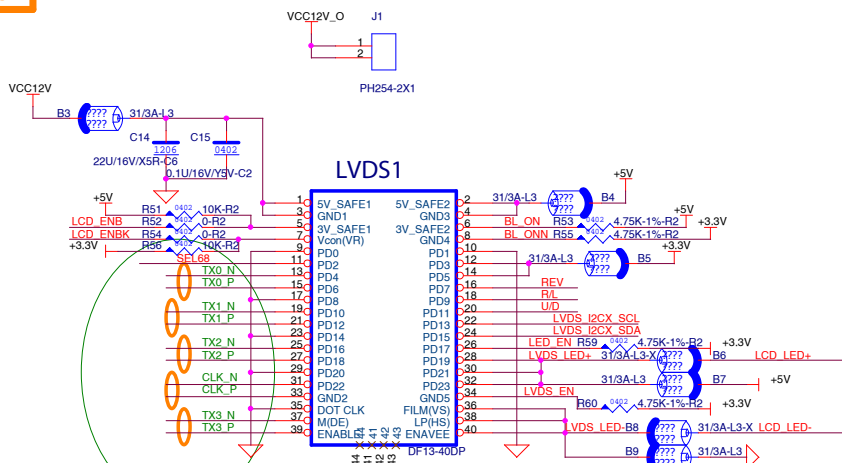
Document Number: lvds-ttl-test-expansion-board

Date: Friday, May 10, 2013

Rev: 0.2

Sheet 2 of 4

LVDS



LVDS		
Title Custom	Document Number lvds-ttl-test-expansion-board	Rev 0.2
Date: Friday, May 10, 2013	Sheet 3 of 4	

Touch

