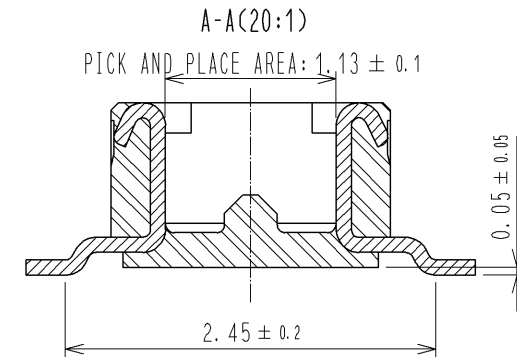
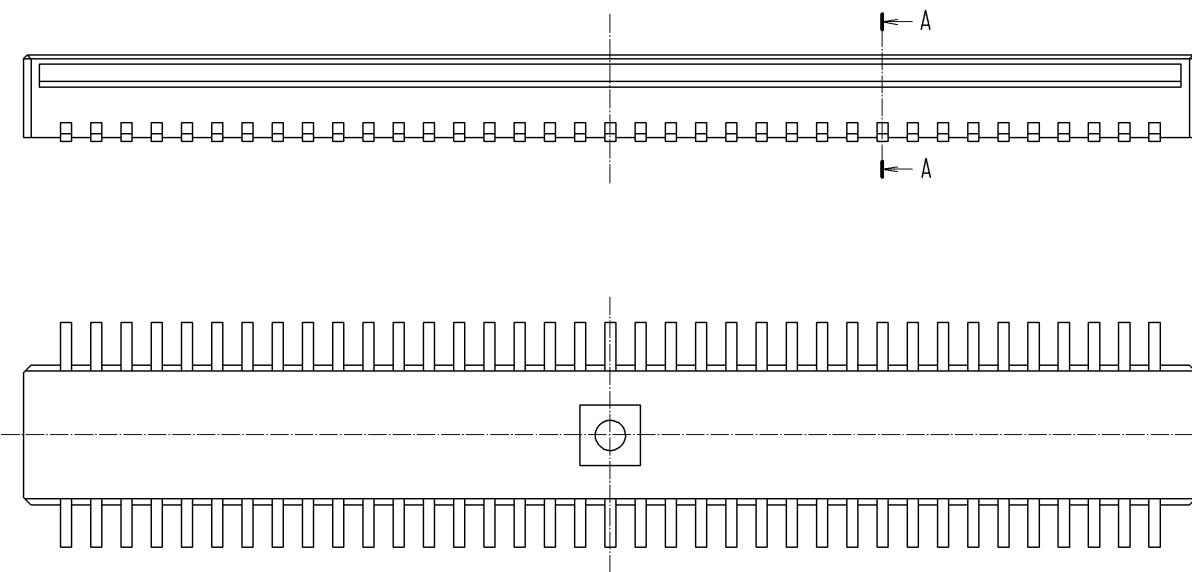


RECOMMENDED METAL MASK THICKNESS : 120 μm
 RECOMMENDED METAL MASK OPENING RATIO : 80% FOR LEAD PAD



- NOTES) 1. ALL LEADS CO-PLANARITY SHALL BE 0.1MAX.
 2. EACH ONE CONTACT AT 4 CORNERS SHALL BE USED AS METAL HOLD DOWN.
 3. HRS MARK AND CAV NO. IS INDICATED IN APPROXIMAL POSITION SHOWN.

2	PHOSPHOR BRONZE	CONTACT AREA: GOLD 0.05 μm MIN	5	PS	BLACK			
		SMT LEAD: GOLD 0.05 μm MIN	4	POLYESTER	CLEAR, COVER TAPE			
		UNDERPLATING: NICKEL 1 μm MIN	3	PS	CLEAR, EMBOSSED CARRIER TAPE			
1	LCP	BLACK, UL94V-0						
NO.	MATERIAL	FINISH, REMARKS	NO.	MATERIAL	FINISH, REMARKS			
UNITS	mm	SCALE	10:1	COUNT	DESCRIPTION OF REVISIONS	DESIGNED	CHECKED	DATE
HRS HIROSE ELECTRIC CO., LTD.		APPROVED : KH. IKEDA	09.02.26	DRAWING NO. EDC3-311639-05				
		CHECKED : TS. MIYAZAKI	09.02.26	PART NO. DF40C-70DP-0.4V(51)				
		DESIGNED : TK. SUZUKI	09.02.20	CODE NO. CL684-4015-2-51				
		DRAWN : TK. SUZUKI	09.02.20					